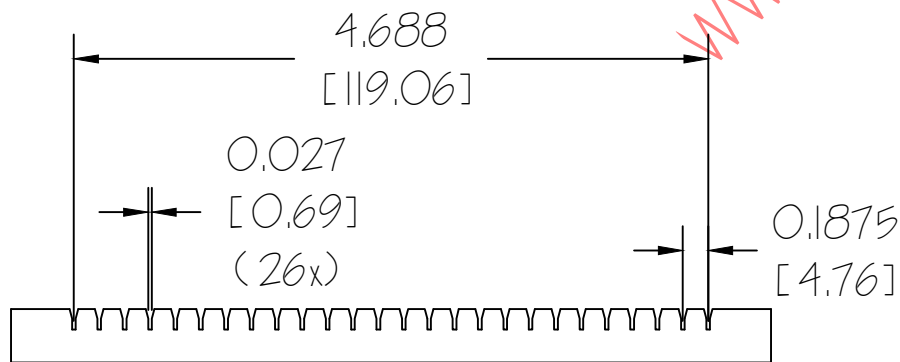
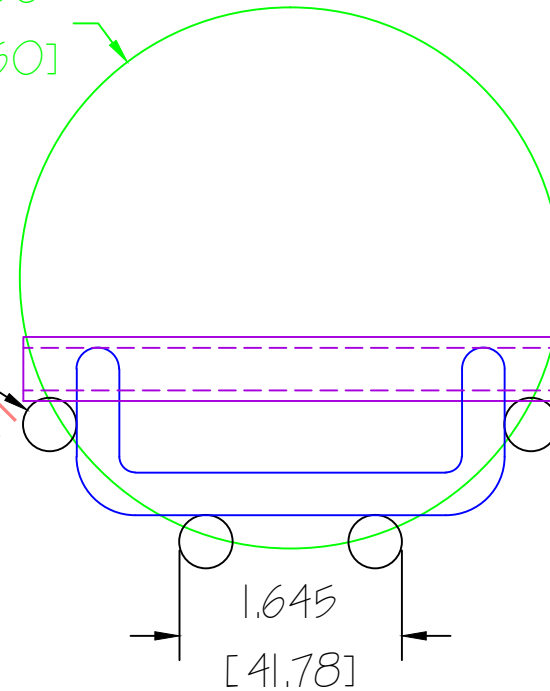


$\text{Ø}0.394$
[$\text{Ø}10.00$]
(4x)
 $\text{Ø}0.315$
[$\text{Ø}8.00$]
(2x)

$\text{Ø}4.000$
[$\text{Ø}101.60$]



TOLERANCES	
DECIMAL INCHES	MILLIMETERS
X.X = +/- 0.050	X = +/- 1.27
X.XX = +/- 0.020	X.X = +/- 0.508
ANGULARITY +/- 1.5°	Tube & Rod Per Momentive Standard Tolerances.

PROPRIETARY
THE INFORMATION CONTAINED HEREIN IS THE PROPERTY OF A.M. QUARTZ CORPORATION, AND MAY NOT BE REPRODUCED OR DISCLOSED IN WHOLE OR IN PART WITHOUT THE WRITTEN PERMISSION OF A.M. QUARTZ CORPORATION.

A.M. Quartz Corporation
2400 Alabama Drive
Gainesville, TX 76240
Phone: (940) 612-1011 Fax: (940) 612-1014
Website: www.amquartz.com Email: amquartz@amquartz.com

Custom Quartz Carrier 100mm Wafer 26 Slot
MATERIAL MOMENTIVE 214 Part # AMQ-4-26-027-155A

Part # AMQ-4-26-027-155A.dwg