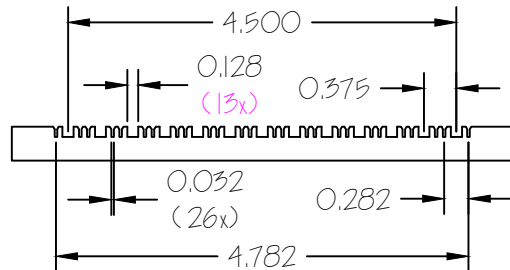
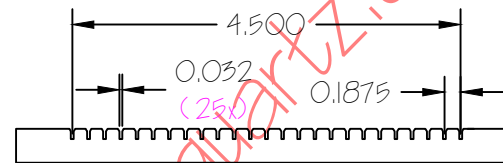
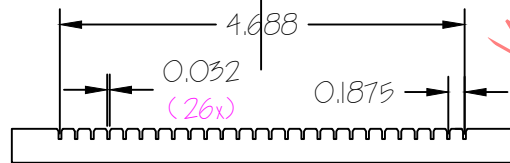
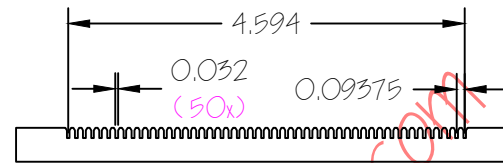
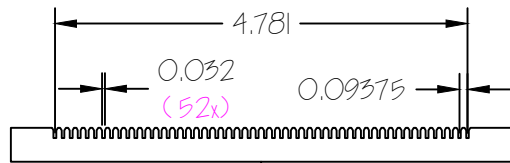
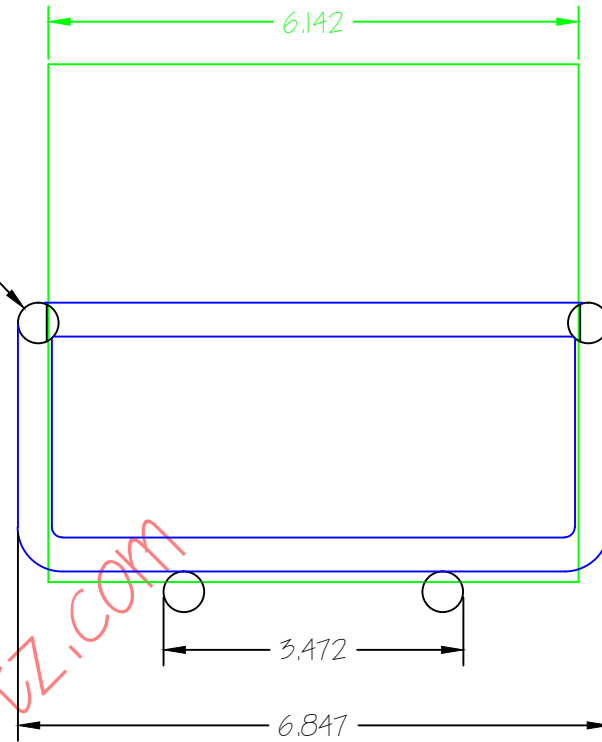


Ø0.472  
[Ø12.00]  
(4x)



TOLERANCES	
DECIMAL INCHES	MILLIMETERS
X.X = +/- 0.050	X = +/- 1.27
X.XX = +/- 0.020	X.X = +/- 0.508
ANGULARITY ± 1.5°	Tube & Rod Per Momentive Standard Tolerances.

PROPRIETARY  
THE INFORMATION CONTAINED HEREIN IS THE PROPERTY  
OF A.M. QUARTZ CORPORATION, AND MAY NOT BE  
REPRODUCED OR DISCLOSED IN WHOLE OR IN PART  
WITHOUT THE WRITTEN PERMISSION OF  
A.M. QUARTZ CORPORATION.

A.M. Quartz Corporation  
2400 Alabama Drive  
Gainesville, TX 76240

Phone: (940) 612-1011

Fax: (940) 612-1014

Website: [www.amquartz.com](http://www.amquartz.com)

Email: [amquartz@amquartz.com](mailto:amquartz@amquartz.com)

Custom Quartz 156mm Square Wafer Carrier

MATERIAL MOMENTIVE 214

Part # 156-XX-032 MP5Q