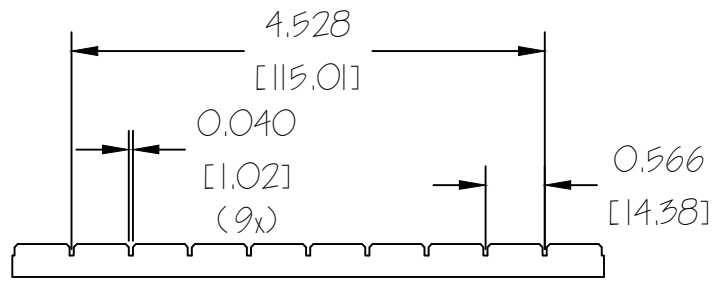
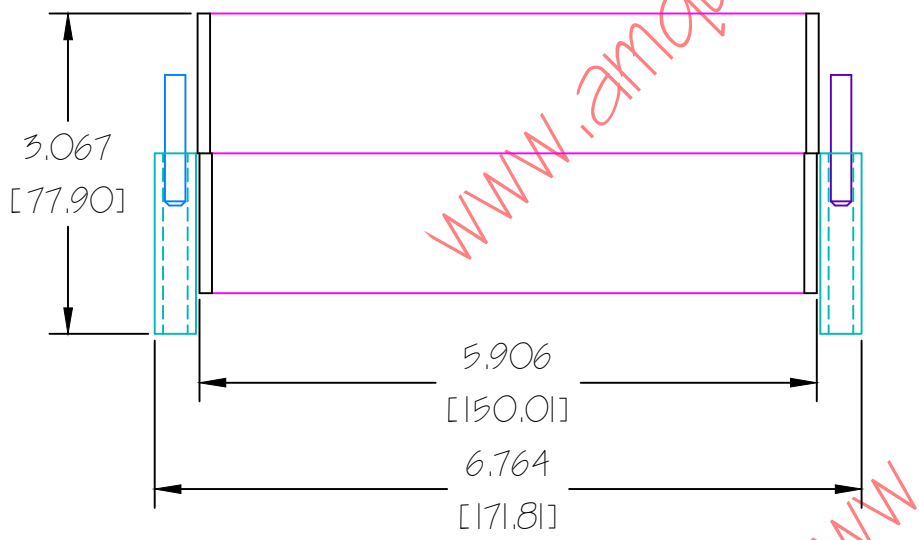
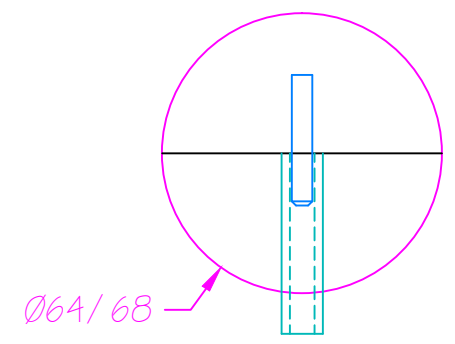
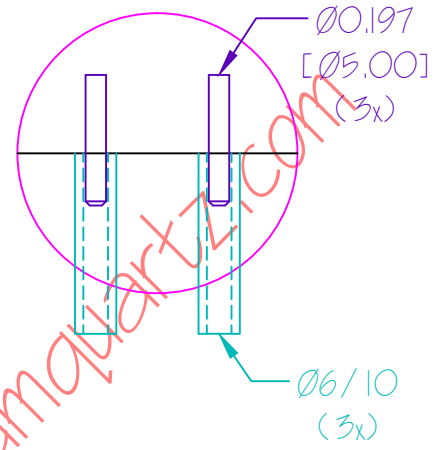
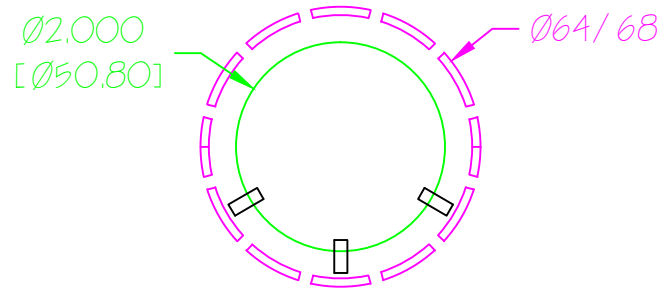


www.amquartz.com

www.amquartz.com



TOLERANCES	
DECIMAL INCHES	MILLIMETERS
X.X = +/- 0.0050	X = +/- 0.127
X.XX = +/- 0.0020	X.X = +/- 0.508
ANGULARITY +/- 1.5	Tube & Rod Per Momentive Standard Tolerances.

PROPRIETARY
 THE INFORMATION CONTAINED HEREIN IS THE PROPERTY
 OF A.M. QUARTZ CORPORATION, AND MAY NOT BE
 REPRODUCED OR DISCLOSED IN WHOLE OR IN PART
 WITHOUT THE WRITTEN PERMISSION OF
 A.M. QUARTZ CORPORATION.

A.M. Quartz Corporation
 2400 Alabama Drive
 Gainesville, TX 76240

Phone: (940) 612-1011 Fax: (940) 612-1014
 Website: www.amquartz.com Email: amquartz@amquartz.com

Custom Quartz LTO 2" Wafer Carrier 9 Slots

MATERIAL MOMENTIVE 214 Part # AMQ-2-9-040 CB

Part # AMQ-2-9-040 CB.dwg