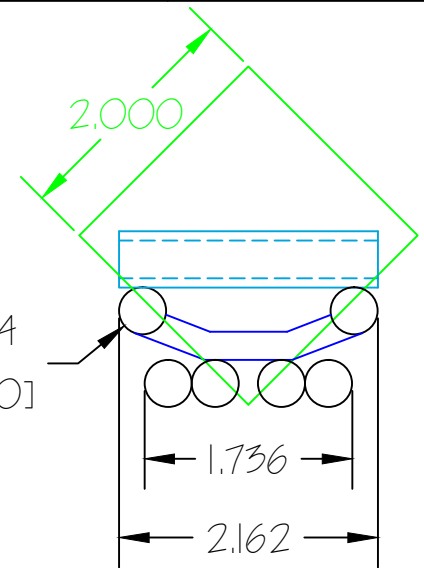
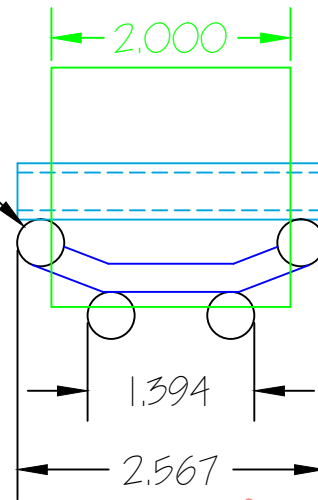
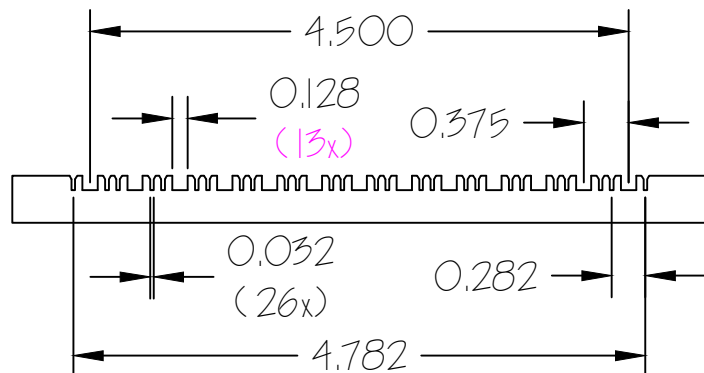
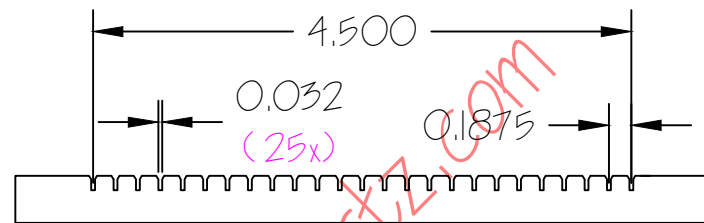
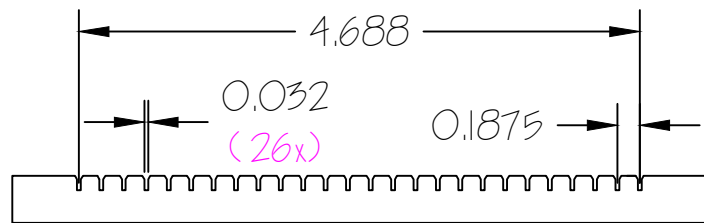
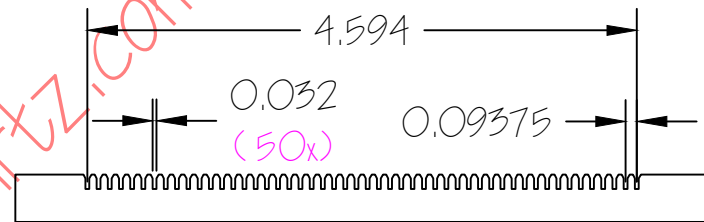
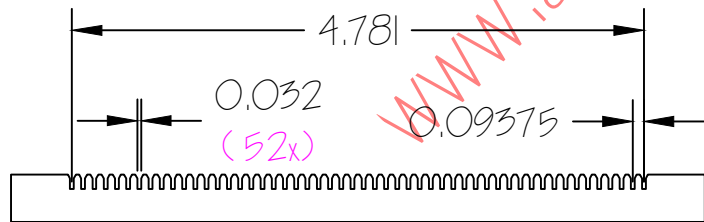


Ø0.394
[Ø10.00]
(4x)

Ø0.236
[Ø6.00]
(2x)



Part # AMQ-2-XX-032 MP5Q.dwg



U05	TOLERANCES	
DECIMAL INCHES	MILLIMETERS	
XX = +/- 0.050	X = +/- 1.27	
XXX = +/- 0.020	XX = +/- 0.508	
ANGULARITY +/- 1.5	Tube & Rod Per Momentive Standard Tolerances.	
<p>PROPRIETARY</p> <p>THE INFORMATION CONTAINED HEREIN IS THE PROPERTY OF A.M. QUARTZ CORPORATION, AND MAY NOT BE REPRODUCED OR DISCLOSED IN WHOLE OR IN PART WITHOUT THE WRITTEN PERMISSION OF A.M. QUARTZ CORPORATION.</p>		

A.M. Quartz Corporation
2400 Alabama Drive
Gainesville, TX 76240

Phone: (940) 612-1011 Fax: (940) 612-1014
Website: www.amquartz.com Email: amquartz@amquartz.com

Custom Quartz 2" Square Wafer Carrier Medium Profile

MATERIAL MOMENTIVE 214 Part # AMQ-2-XX-032 MP