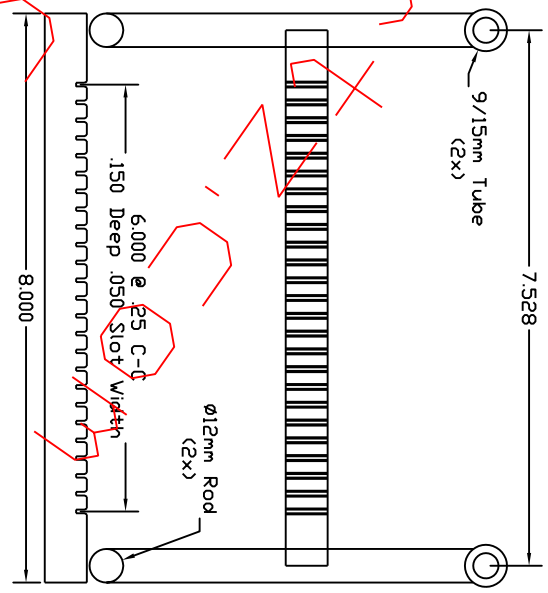
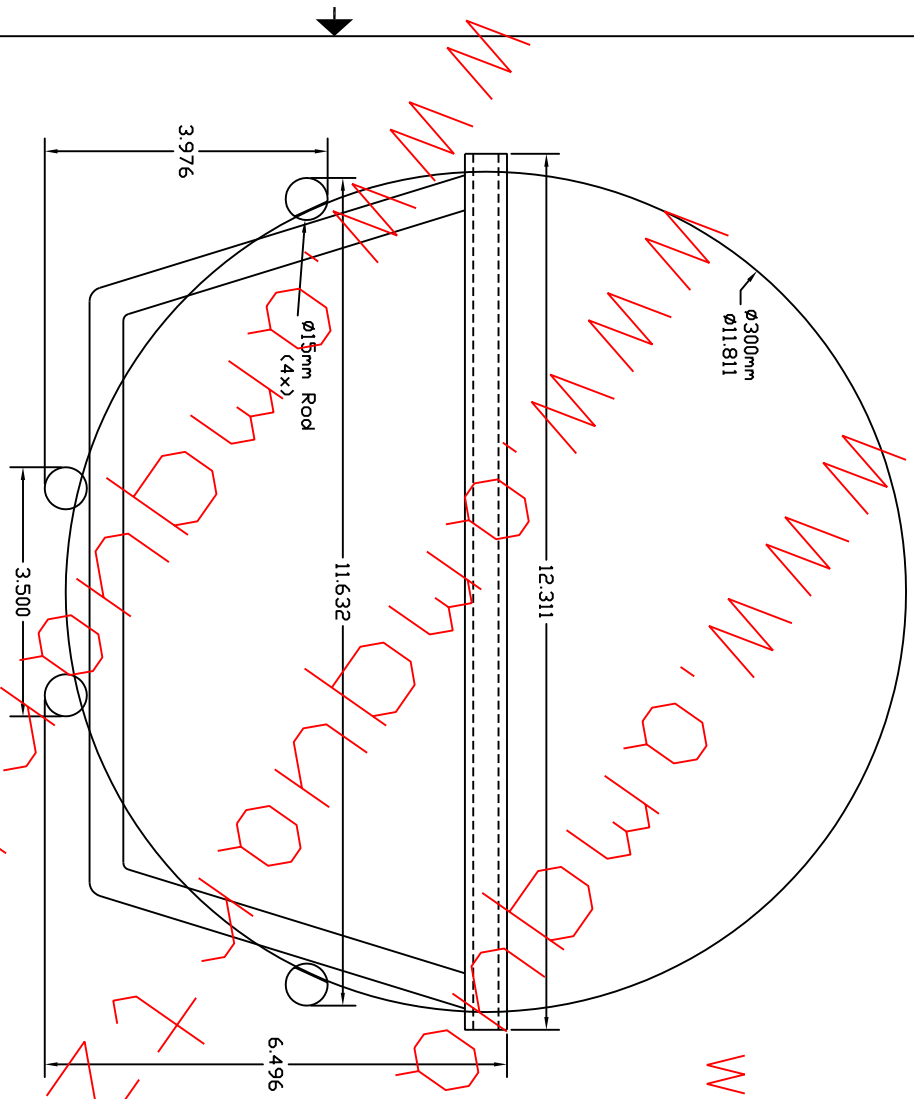


REVISIONS				
ZONE	REV	DESCRIPTION	DATE	APPROVED

www.amquartz.com



www.amquartz.com

All dimensions in inches unless otherwise noted.

Material	Semiconductor Grade Quartz	SIZE	DWG NO.	REV
Drawn By	I. Gonzalez	300mm	25 Slot Boat	
A.M. Quartz Corporation 2400 Abilene Dr., Galesville, TX 76240 Tel:(940)612-1011 Fax:(940)612-1014		Scale	Date	7/5/99
		Sheet		

www.amquartz.com