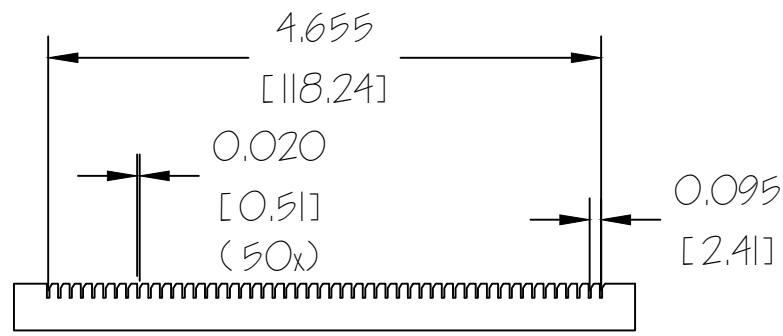
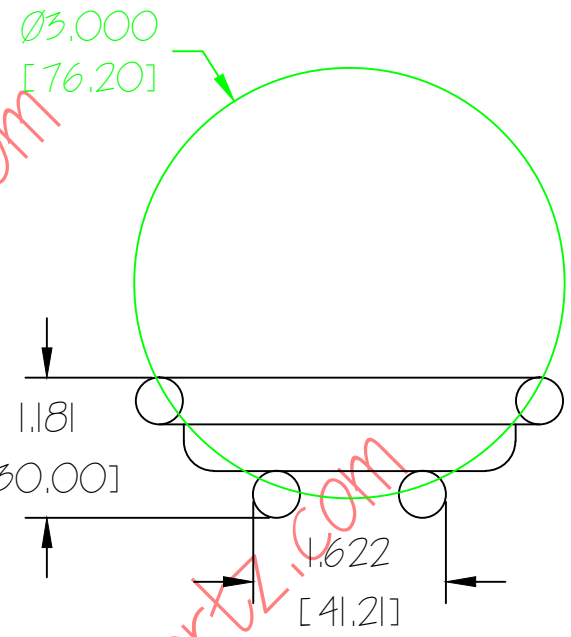
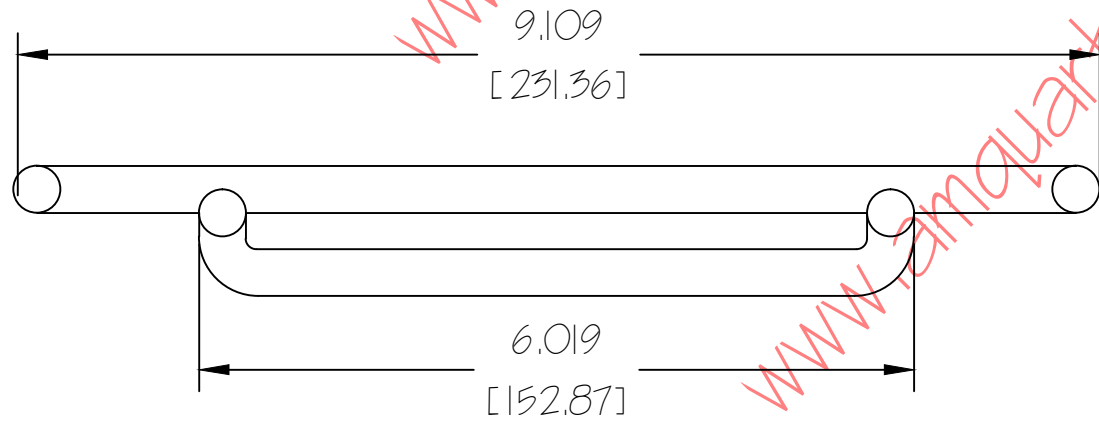
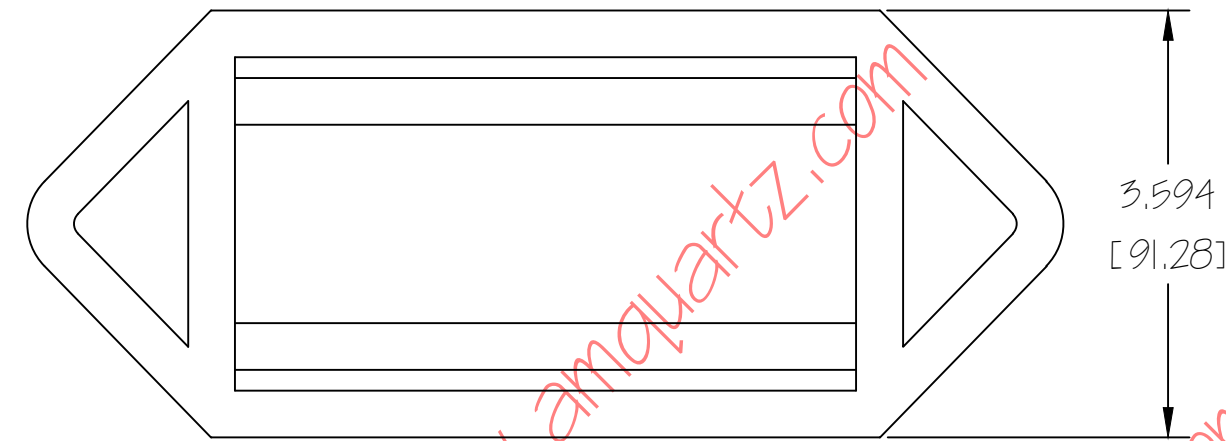


Part # AMQ-5-50-020 GB.dwg



TOLERANCES	
DECIMAL INCHES	MILLIMETERS
X.X = +/- 0.0050	X = +/- 0.127
X.XX = +/- 0.0020	X.X = +/- 0.508
ANGULARITY ± 1.5°	Tube & Rod Per Momentive Standard Tolerances.
<p>PROPRIETARY: THE INFORMATION CONTAINED HEREIN IS THE PROPERTY OF A.M. QUARTZ CORPORATION, AND MAY NOT BE REPRODUCED OR DISCLOSED IN WHOLE OR IN PART WITHOUT THE WRITTEN PERMISSION OF A.M. QUARTZ CORPORATION.</p>	

A.M. Quartz Corporation
 2400 Alabama Drive
 Gainesville, TX 76240

Phone: (940) 612-1011 Fax: (940) 612-1014
 Website: www.amquartz.com Email: amquartz@amquartz.com

Custom Quartz 3" Wafer Carrier 50 Slots

MATERIAL MOMENTIVE 214 Part # AMQ-6-50-020 GB