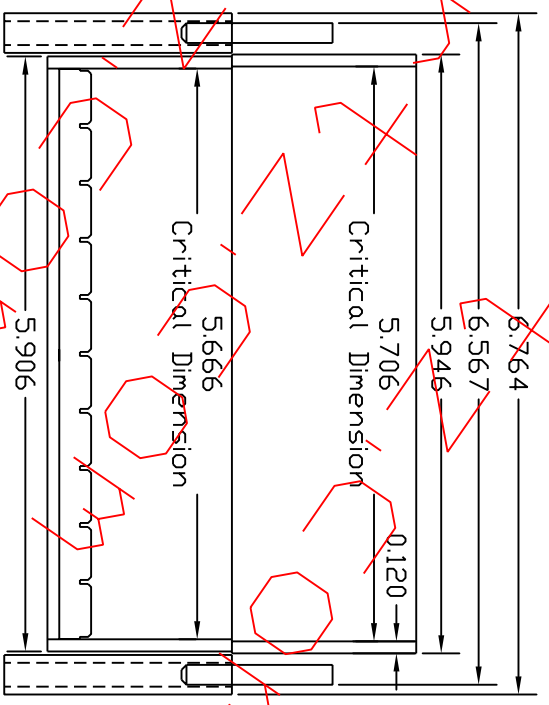
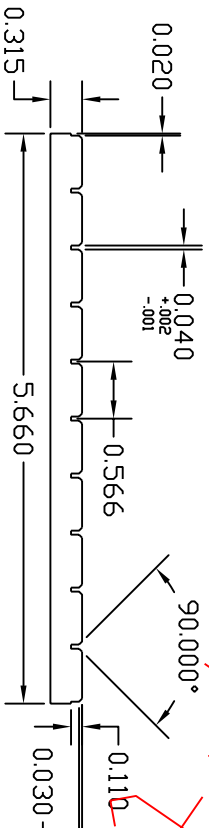
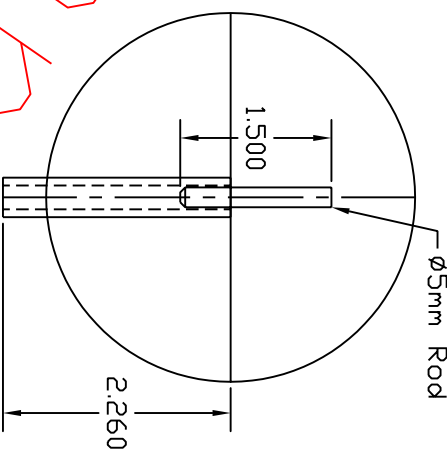
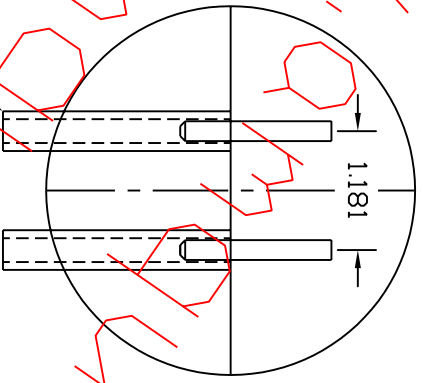
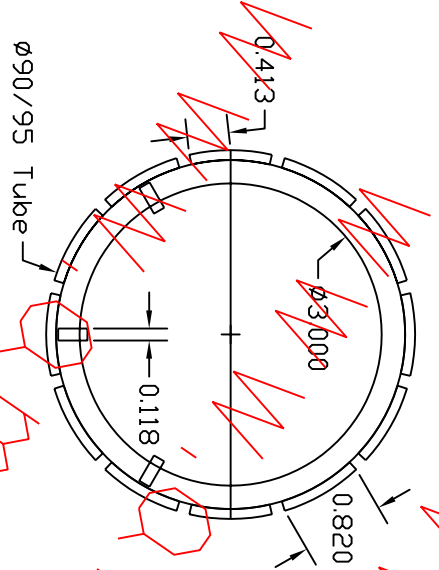


REVISIONS				
ZONE	REV	DESCRIPTION	DATE	APPROVED



www.amquartz.com

www.amquartz.com

All dimensions in inches unless otherwise noted.

A.M. Quartz Corporation  
2400 Arbore Dr., Galesville, TX 76240  
Tel:(940)612-1011 Fax:(940)612-1014

3" LTD Cage Boat

Drawn By I. Gonzalez	SIZE DWG NO.	REV
Scale	Date 1/8/98	Sheet