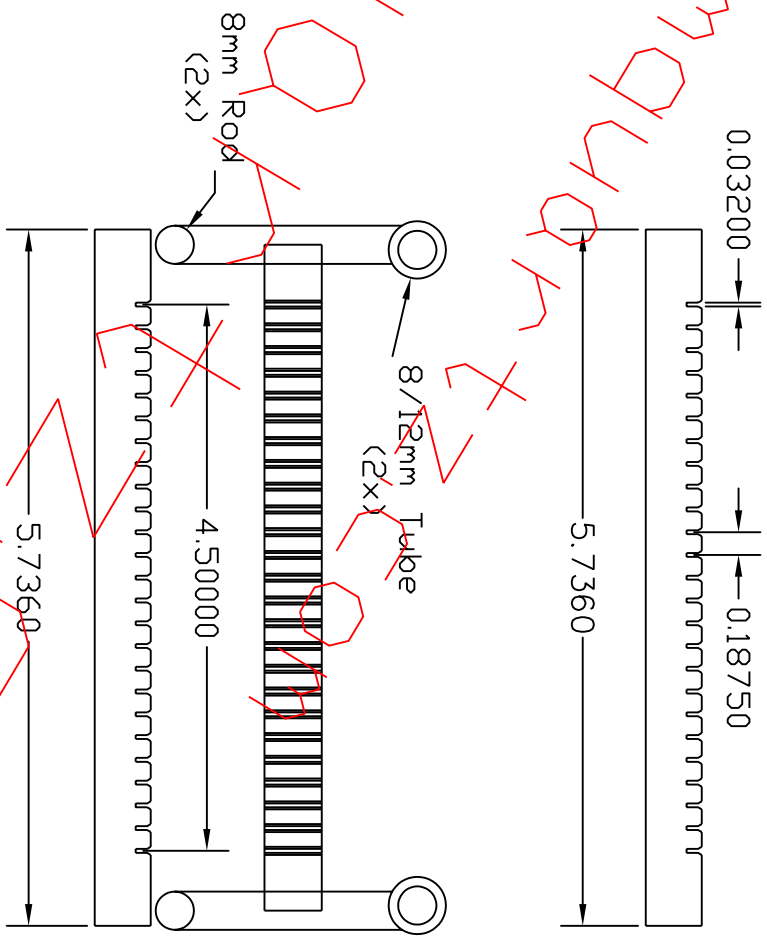
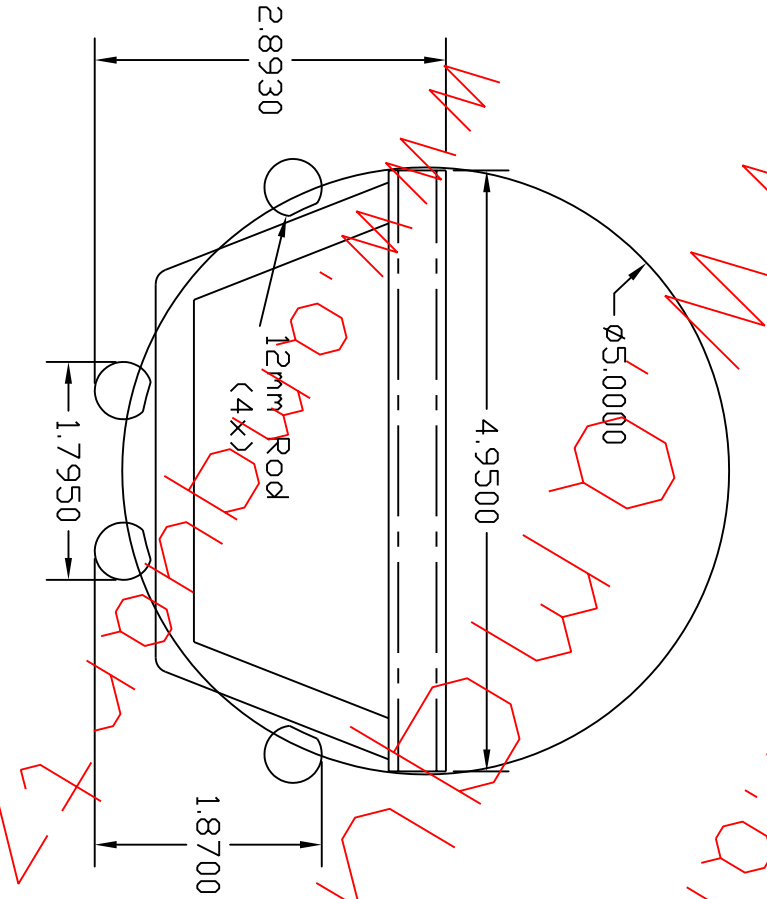


WWW.AMQUARTZ.COM



www.amquartz.com

All dimensions in inches unless otherwise noted.

Drawn By	I. Gonzalez		
Material	Semiconductor Grade	Scale	4/23/04
SIZE	DWG NO.	Date	REV
5" 25 Slot Boat		4/23/04	Steel

A.M. Quartz Corporation
2400 Alabama Dr., Grimesville, TX 76740
Tel:(940)612-1011 Fax:(940)612-1014

REVISIONS			
ZONE	REV	DESCRIPTION	APPROVED