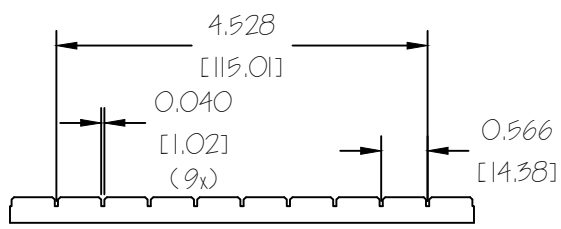
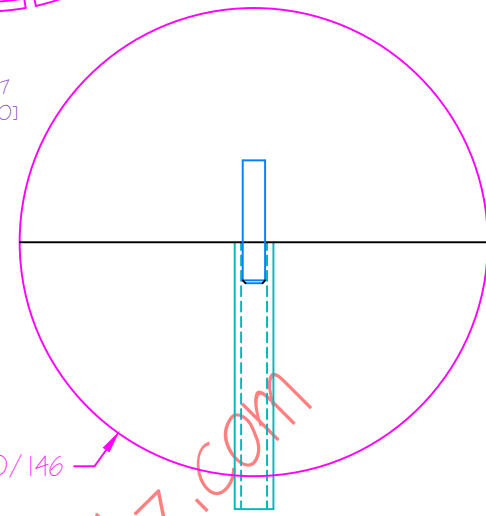
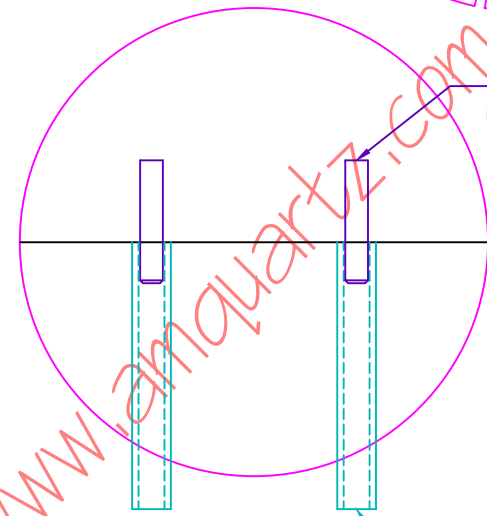
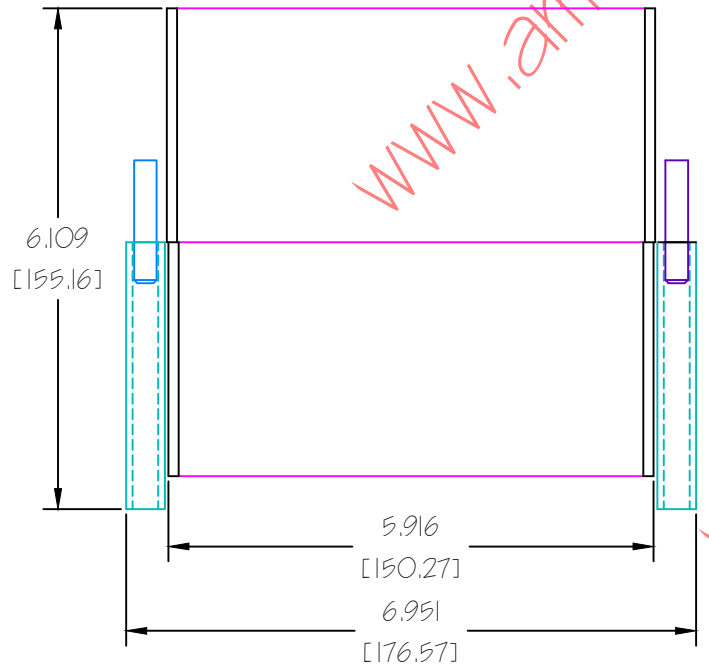


www.amquartz.com

Ø5.000  
[Ø127.00]

Ø140/146



TOLERANCES	
DECIMAL INCHES	MILLIMETERS
X.X = +/- 0.050	X = +/- 1.27
X.XX = +/- 0.020	X.X = +/- 0.508
ANGULARITY ± 1.5	Tube & Rod Per Momentive Standard Tolerances.

PROPRIETARY:  
THE INFORMATION CONTAINED HEREIN IS THE PROPERTY  
OF A.M. QUARTZ CORPORATION, AND MAY NOT BE  
REPRODUCED OR DISCLOSED IN WHOLE OR IN PART  
WITHOUT THE WRITTEN PERMISSION OF  
A.M. QUARTZ CORPORATION.

A.M. Quartz Corporation  
2400 Alabama Drive  
Gainesville, TX 76240

Phone: (940) 612-1011 Fax: (940) 612-1014  
Website: www.amquartz.com Email: amquartz@amquartz.com

Custom Quartz LTO 5" Wafer Carrier 9 Slots

MATERIAL MOMENTIVE 214 Part # AMQ-5-9-040 CB

Part # AMQ-5-9-080 CB.dwg