

Part # AMQ-6-35-032 CMP.dwg

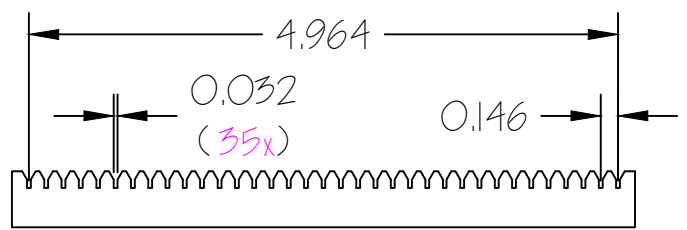
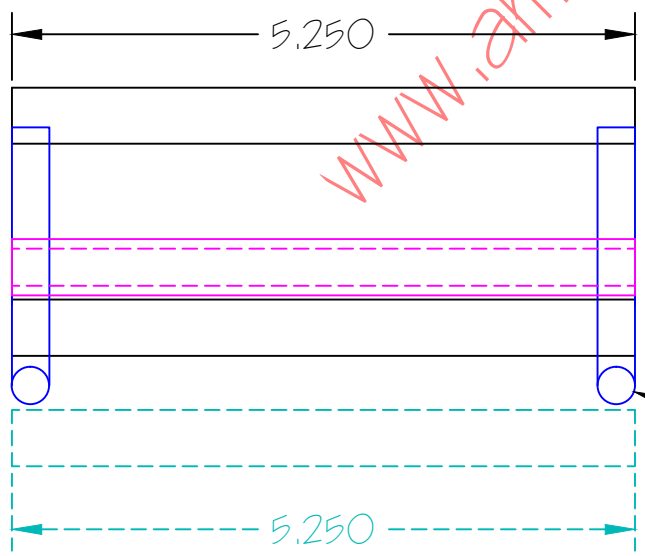
Ø6.000
[Ø152.40]

Ø0.472
[Ø12.00]
(4x)

Ø8/12
(2x)

Ø0.315
[Ø8.00]
(2x)

Ø0.472
[Ø12.00]
(2x)
Optional



TOLERANCES	
DECIMAL INCHES	MILLIMETERS
X.X = +/- 0.050	X = +/- 1.27
X.XX = +/- 0.020	X.X = +/- 0.508
ANGULARITY +/- 1.5°	Tube & Rod Per Momentive Standard Tolerances.
<p>PROPRIETARY THE INFORMATION CONTAINED HEREIN IS THE PROPERTY OF A.M. QUARTZ CORPORATION, AND MAY NOT BE REPRODUCED OR DISCLOSED IN WHOLE OR IN PART WITHOUT THE WRITTEN PERMISSION OF A.M. QUARTZ CORPORATION.</p>	

A.M. Quartz Corporation
2400 Alabama Drive
Gainesville, TX 76240

Phone: (940) 612-1011 Fax: (940) 612-1014
Website: www.amquartz.com Email: amquartz@amquartz.com

Custom Quartz 6" Wafer Boat 35 Slots

MATERIAL MOMENTIVE 214 Part # AMQ-6-35-032 CMP