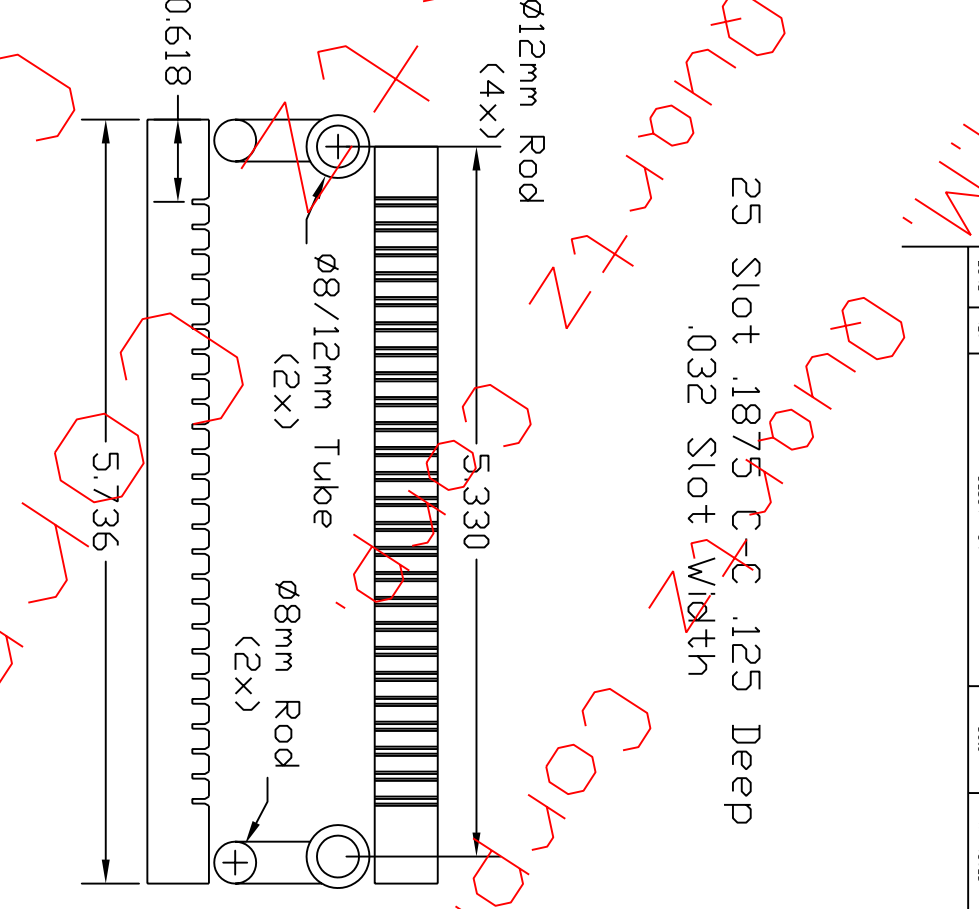
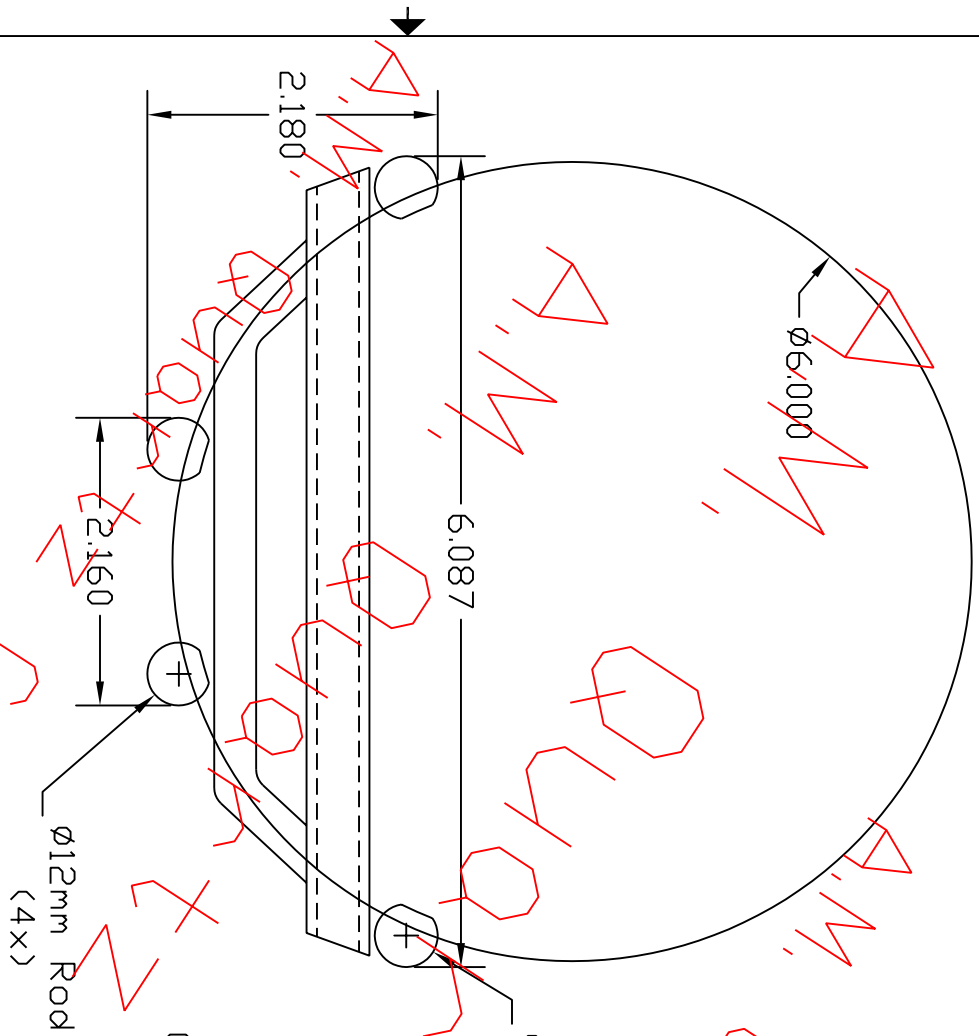


REVISIONS				
ZONE	REV	DESCRIPTION	DATE	APPROVED

25 Slot .1875 C-C .125 Deep  
.032 Slot Width



www.amquartz.com

All dimensions in inches unless otherwise noted.

Drawn By	I. Donzalez	SIZE	DWG NO.	150mm 25 slot boat
Scale	1/1	Date	4/8/99	Sheet
A.M. Quartz Corporation 2400 Anabond Dr., Galesville, TX 76240 Tel:(940)612-1011 Fax:(940)612-1014				
REV				