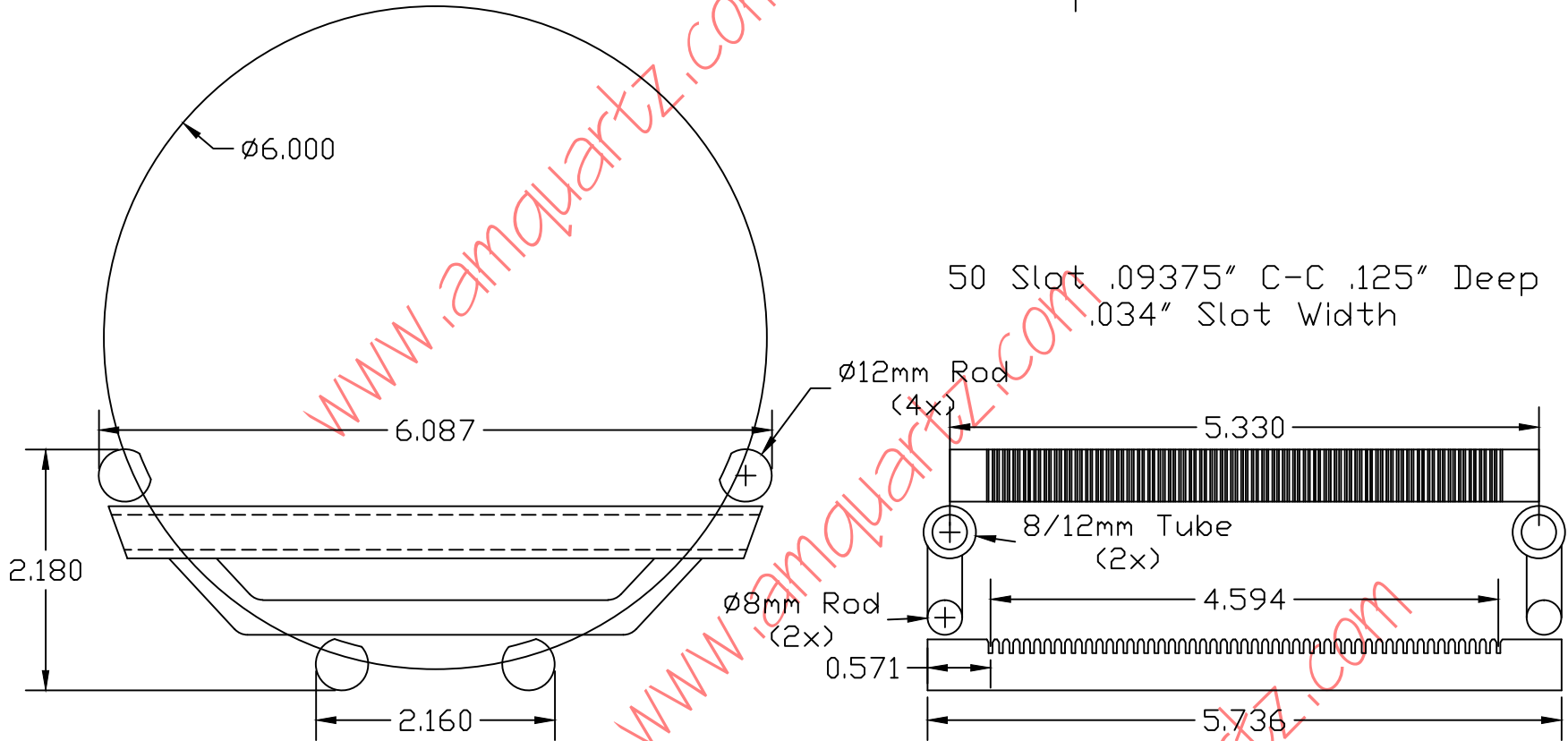


REVISIONS				
ZONE	REV	DESCRIPTION	Date	APPROVED



www.amquartz.com

PROPRIETARY

THE INFORMATION CONTAINED HEREIN IS THE PROPERTY OF A.M. QUARTZ CORP., AND MAY NOT BE REPRODUCED OR DISCLOSED IN WHOLE OR IN PART WITHOUT THE EXPRESSED WRITTEN CONSENT OF A.M. QUARTZ CORP.

All dimensions in inches unless otherwise noted.

A.M. Quartz Corporation
2400 Alabama Dr. Gainesville, TX 76240
Tel:(940)612-1011 Fax:(940)612-1014

6" 50 Slot Quartz Boat

Drawn By	SIZE	DWG NO.	REV
Material	Semiconductor Grade Quartz	Scale	Date
		Sheet	