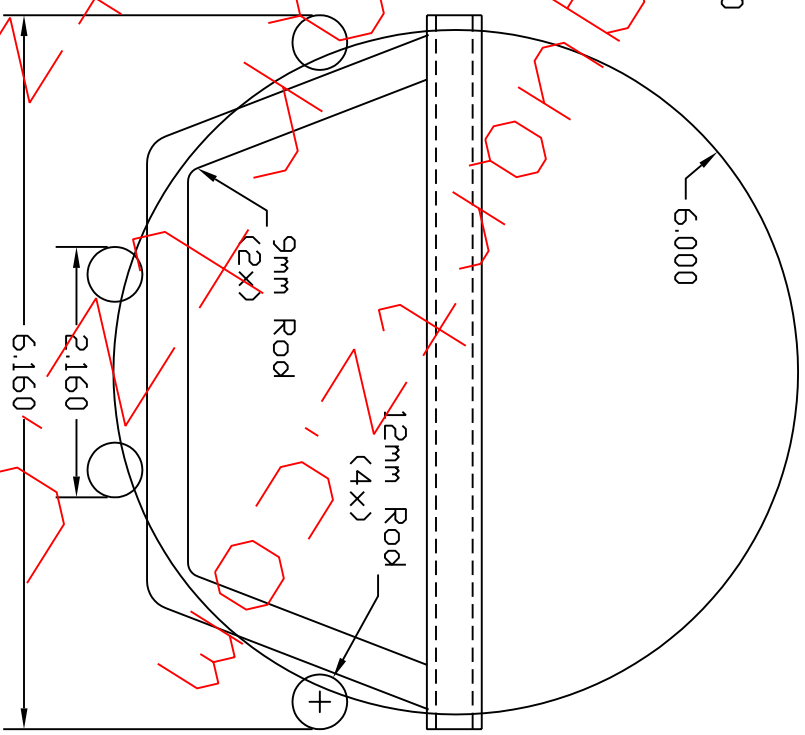
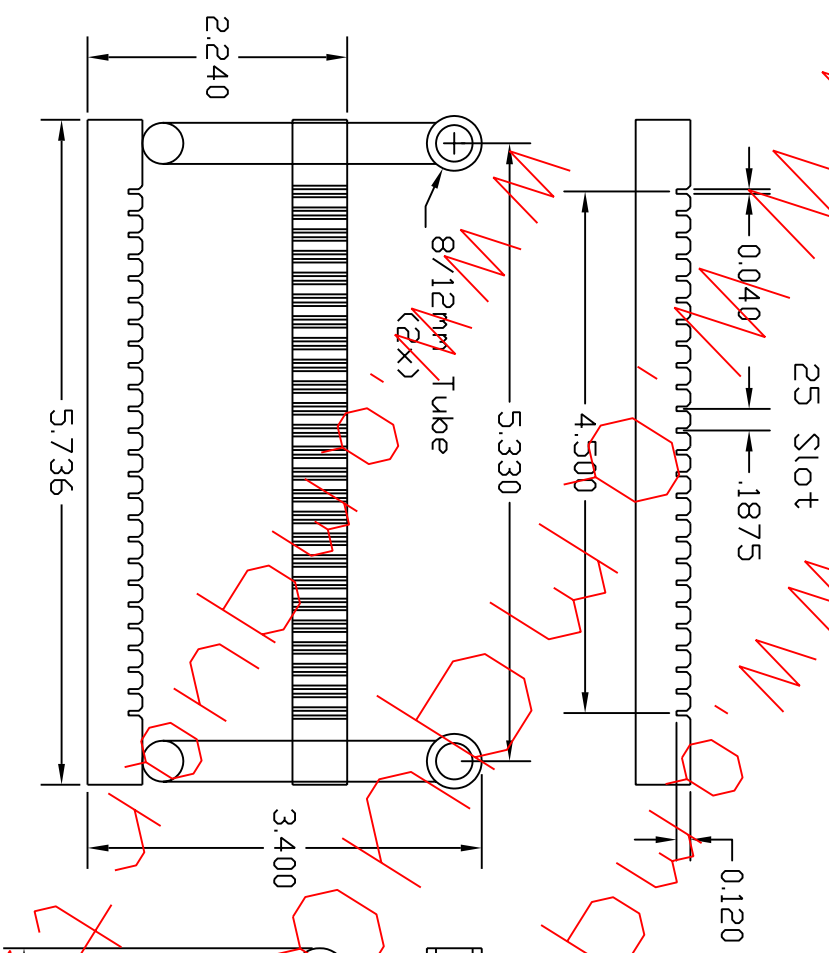


REVISIONS				
ZONE	REV	DESCRIPTION	DATE	APPROVED



www.amquartz.com

All dimensions in inches unless otherwise noted.

Drawn By	I. Gonzalez	SIZE	DWG NO.	A.M. Quartz Corporation 2401 Augusta Dr., Pecosville, TX 78240 Tel: (409) 72-1011 / Fax: (979) 72-1014
Material	Semiconductor Grade Quartz	Scale	Date	
6" 25 Slot Boat Medium Profile				REV

6/21/99

Sheet